

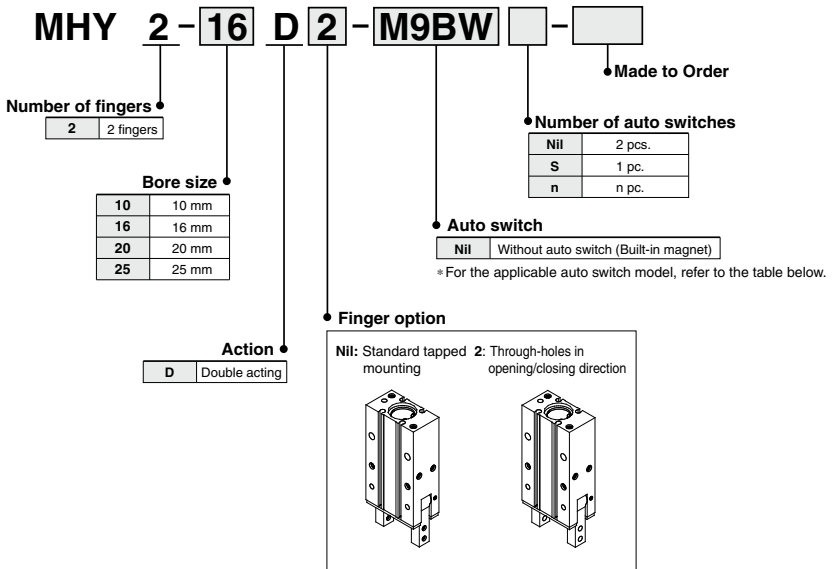


# 180° Angular Type Air Gripper Cam Type

# MHY2 Series

∅10, ∅16, ∅20, ∅25

## How to Order



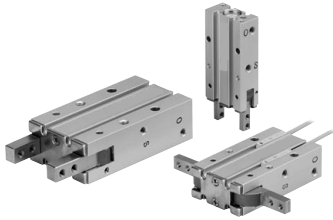
## Applicable Auto Switches /

Type	Special function	Electrical entry	Indicator light	Wiring (Output)	Load voltage		Auto switch model		Lead wire length (m)				Pre-wired connector	Applicable load
					DC	AC	Electrical entry direction		0.5 (Nil)	1 (M)	3 (L)	5 (Z)		
							Perpendicular	In-line						
Solid state auto switch	—	Grommet	Yes	3-wire(NPN)	24 V	—	<b>M9NV</b>	<b>M9N</b>	●	●	●	○	○	IC circuit
				3-wire(PNP)			<b>M9PV</b>	<b>M9P</b>	●	●	●	○	○	
				2-wire			<b>M9BV</b>	<b>M9B</b>	●	●	●	○	○	
				3-wire(NPN)			<b>M9NVW</b>	<b>M9NW</b>	●	●	●	○	○	
				3-wire(PNP)			<b>M9PWW</b>	<b>M9PW</b>	●	●	●	○	○	
				2-wire			<b>M9BWW</b>	<b>M9BW</b>	●	●	●	○	○	
	Water resistant (2-color indicator)	Grommet	Yes	3-wire(NPN)	24 V	—	<b>M9NAV</b>	<b>M9NA</b>	○	○	●	○	○	IC circuit
				3-wire(PNP)			<b>M9PAV</b>	<b>M9PA</b>	○	○	●	○	○	
				2-wire			<b>M9BAV</b>	<b>M9BA</b>	○	○	●	○	○	

Relay, PLC

## 180° Angular Type Air Gripper Cam Type **MHY2 Series**

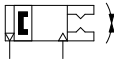
### Specifications



<b>Fluid</b>	Air
<b>Operating pressure</b>	0.1 to 0.6 MPa
<b>Ambient and fluid temperature</b>	-10 to 60°C
<b>Repeatability</b>	±0.2 mm
<b>Max. operating frequency</b>	60 c.p.m.
<b>Lubrication</b>	Not required
<b>Action</b>	Double acting
<b>Auto switch (Option)</b>	Solid state auto switch (3-wire, 2-wire)

### Symbol

Double acting: External grip



### Model

Model	Bore size (mm)	Effective gripping force (1) (N·m)	Opening/Closing angle (Both sides)		Weight (2) (g)
			Opening side	Closing side	
<b>MHY2-10D</b>	10	0.16	180°	-3°	70
<b>MHY2-16D</b>	16	0.54			150
<b>MHY2-20D</b>	20	1.10			320
<b>MHY2-25D</b>	25	2.28			560

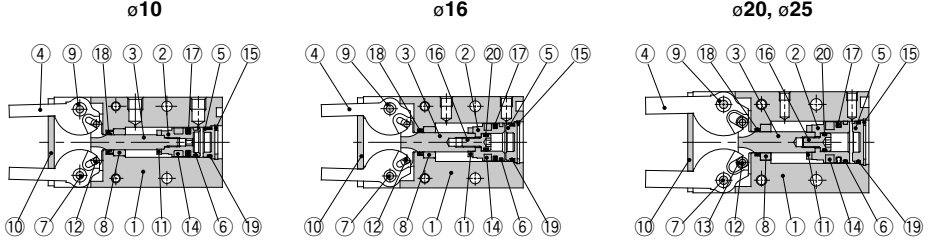
Note 1) At the pressure of 0.5 MPa

Note 2) Except auto switch

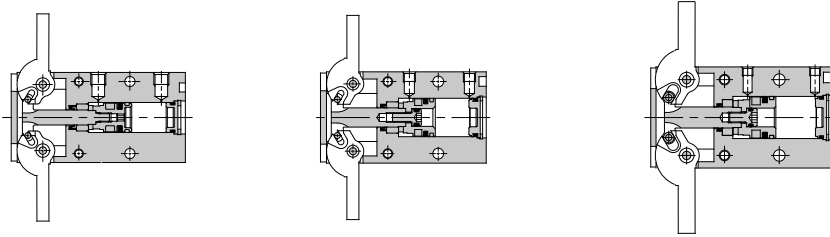


### Construction

#### Closed condition



#### Open condition



### Component Parts

No.	Description	Material	Note
1	<b>Body</b>	Aluminum alloy	Hard anodized
2	<b>Piston</b>	ø10: Stainless steel ø16 to 25: Aluminum alloy	ø16 to 25: Chromated
3	<b>Joint</b>	Stainless steel	Heat treated
4	<b>Finger</b>	Stainless steel	Heat treated
5	<b>Cap</b>	Resin	
6	<b>Wear ring</b>	Resin	
7	<b>Shaft</b>	Stainless steel	Nitriding
8	<b>Bushing A</b>	Sintered alloy steel	
9	<b>Bushing B</b>	Sintered alloy steel	
10	<b>End plate</b>	Stainless steel	

No.	Description	Material	Note
11	<b>Bumper</b>	Urethane rubber	
12	<b>Needle roller</b>	High carbon chrome bearing steel	
13	<b>Joint roller</b>	Carbon steel	Nitriding
14	<b>Rubber magnet</b>	Synthetic rubber	
15	<b>Type C retaining ring</b>	Carbon steel	Phosphate coated
16	<b>Piston bolt</b>	Stainless steel	
17	<b>Piston seal</b>	NBR	
18	<b>Rod seal</b>	NBR	
19	<b>Gasket</b>	NBR	
20	<b>Gasket</b>	NBR	

### Replacement Parts

Description		MHY2-10	MHY2-16	MHY2-20	MHY2-25	Main parts
<b>Seal kit</b>		MHY10-PS	MHY16-PS	MHY20-PS	MHY25-PS	<ø10> ①③⑨ <ø16, ø20, ø25> ①③⑨⑫
<b>Finger assembly</b>	MHY2-□D	MHY-A1001	MHY-A1601	MHY-A2001	MHY-A2501	④⑨
	MHY2-□D2	MHY-A1001-2	MHY-A1601-2	MHY-A2001-2	MHY-A2501-2	
<b>Joint assembly</b>		MHY-A1002	MHY-A1602	MHY-A2002	MHY-A2502	<ø10, ø16> ③⑫ <ø20, ø25> ③⑫⑬
<b>Piston assembly</b>		MHY-A1003	MHY-A1603	MHY-A2003	MHY-A2503	<ø10> ②⑥⑪⑭ <ø16, ø20, ø25> ②⑥⑪⑭⑮

\* Order 1 piece of finger assembly per one unit.

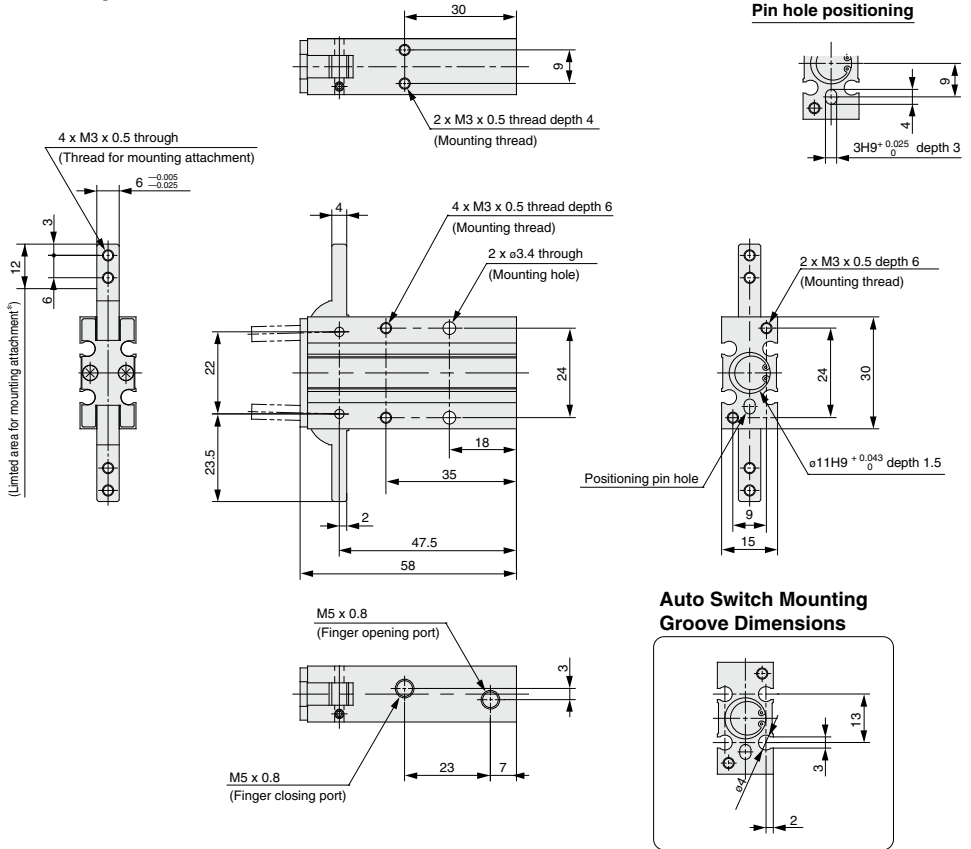
Replacement part/grease pack part no. : MH-G04 (30 g)



180° Angular Type Air Gripper Cam Type **MHY2 Series**

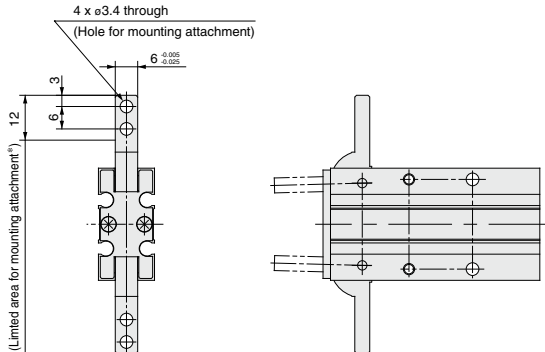
Dimensions

**MHY2-10D**



**MHY2-10D2**

**Opening/Closing direction through-hole type**



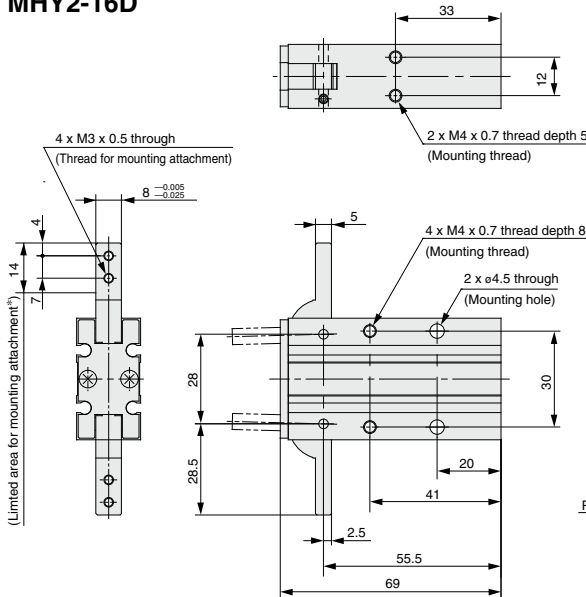
\* Do not extend the attachment from limited area for mounting to avoid interference with the attachment or main body.



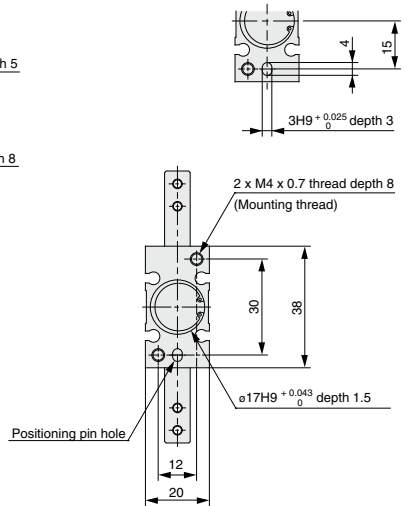
# MHY2 Series

## Dimensions

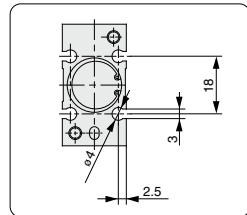
### MHY2-16D



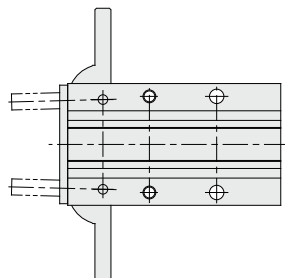
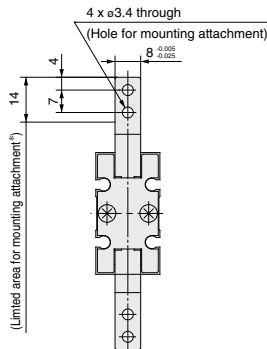
### Pin hole positioning



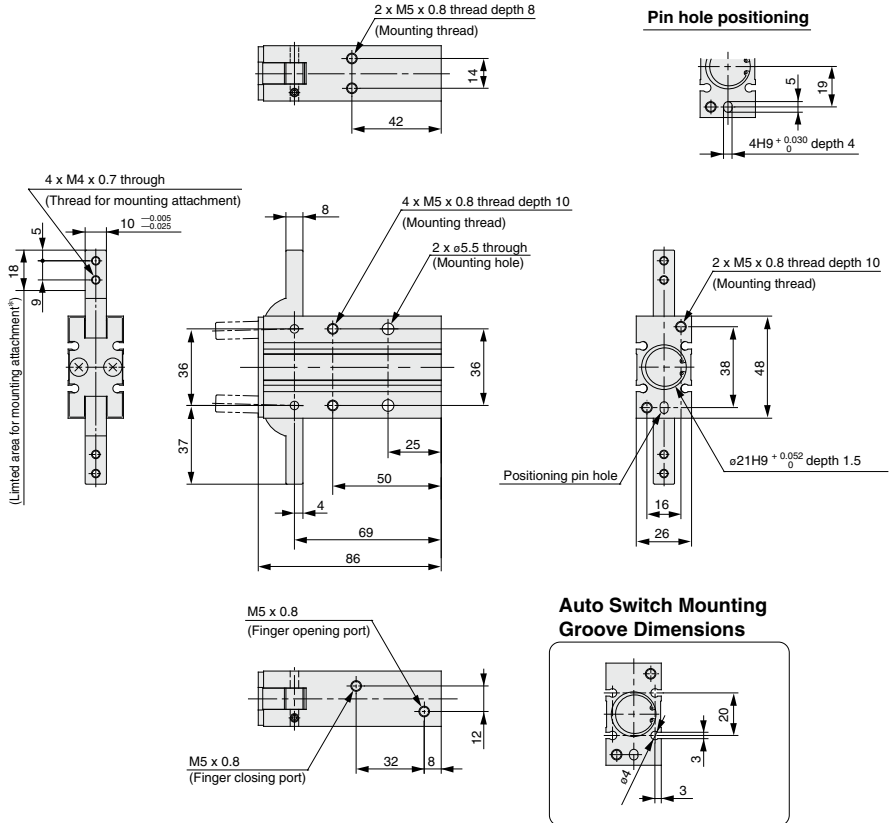
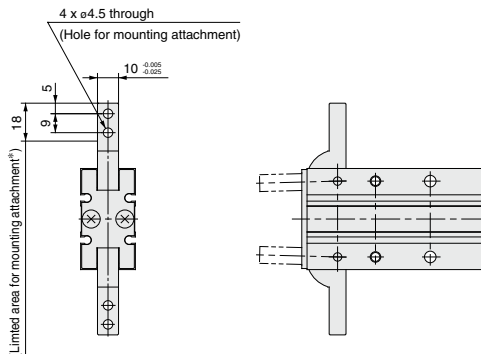
### Auto Switch Mounting Groove Dimensions



### MHY2-16D2 Opening/Closing direction through-hole type



\* Do not extend the attachment from limited area for mounting to avoid interference with the attachment or main body.

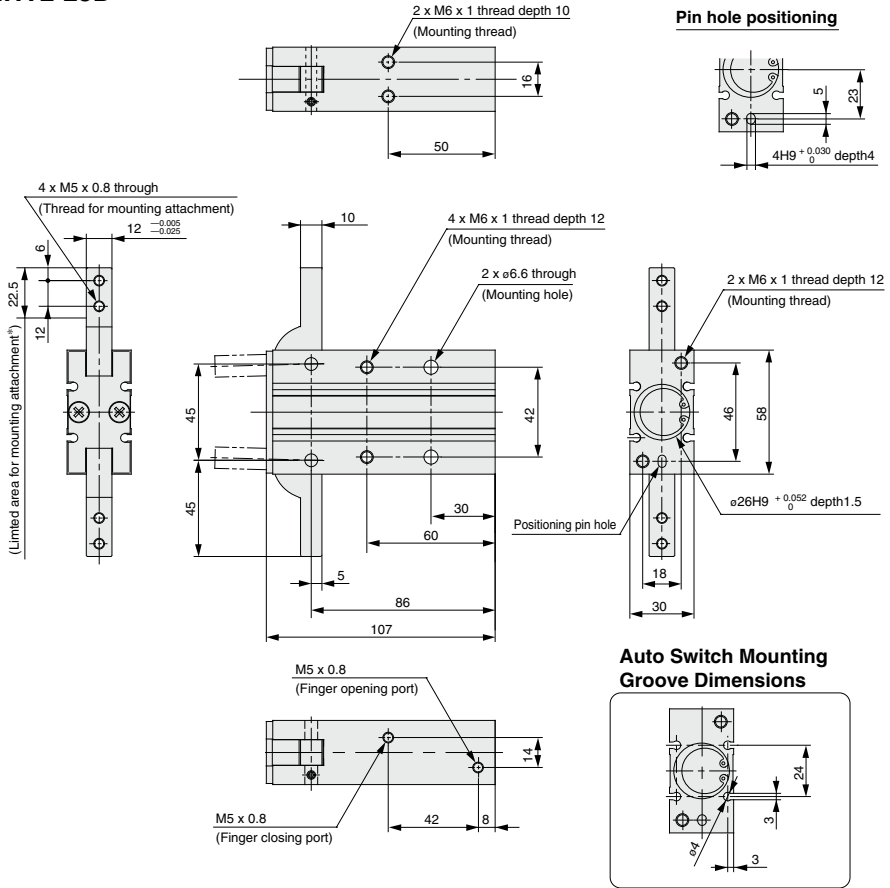
**MHY2-20D**

**MHY2-20D2**  
**Opening/Closing direction**  
**through-hole type**


\* Do not extend the attachment from limited area for mounting to avoid interference with the attachment or main body.

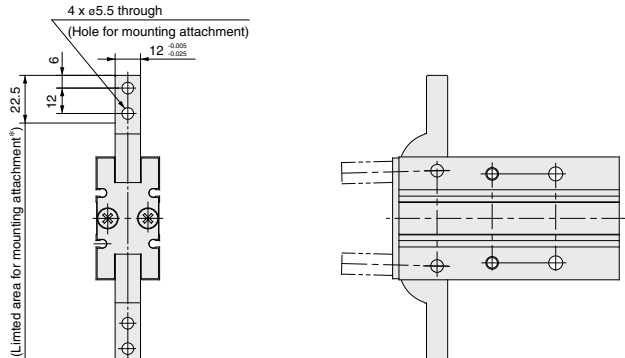


### Dimensions

#### MHY2-25D



#### MHY2-25D2 Opening/Closing direction through-hole type



\* Do not extend the attachment from limited area for mounting to avoid interference with the attachment or main body.