

### Product overview

The pneumatic soft-seal butterfly valve is composed of a pneumatic actuator and a center-line seal butterfly valve.

The soft-seal butterfly valve is divided into two structures: wafer type and flange type.



### Main parts materials

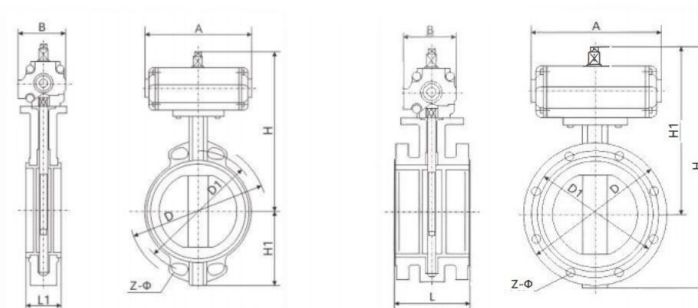
Part name	Material
Valve body	ductile steel + NBR, cast steel + NBR, stainless steel + NBR
Butterfly plate	gray cast iron, ductile iron, cast steel, stainless steel and special materials
Valve stem	2Cr13, stainless steel
Filler	O-ring, flexible graphite

### Main technical parameters

Nominal diameter(mm)	DN50~DN800		
Nominal pressure (MPa)	0.6	1.0	1.6
Sealing test (MPa)	0.66	1.1	1.76
Strength test (MPa)	0.9	1.5	2.4
Proper temperature	Nitrilerubber: -30℃~80℃		
Applicable media	Water, air, natural gas, oil and weakly corrosive fluids		
Leakage rate	Conforms to GB/T13927-92 standard		
Drive mode	pneumatic		
Configuring actuator	GT, AT, AW series single and double acting pneumatic actuators		
Control method	Switch two-position control, 4~20mA analog signal control		

### Actuator technical parameters

Actuator model	GT, AT, AW series single and double acting pneumatic actuators
Gas supply pressure	0.4~0.7MPa
Air source interface	G1/4"、G1/8"、G3/8"、G1/2"
Ambient temperature	-30℃~+70℃
Action form	Single-acting actuator, double-acting actuator
Available accessories	Positioner, solenoid valve, air filter pressure reducer, position-holding valve, travel switch, valve position transmitter, handwheel mechanism, etc.



Wafer structure diagram

Flange structure diagram

### Installation connection dimensions

unit:mm

Nominal diameter (DN)	Main dimensions					Flange size					
	L Flange	L1 Wafer	H	H1	A	1.0MPa			1.6MPa		
						D	D1	n-φd	D	D1	n-φd
50	108	43	63	315	180	165	125	4-18	165	125	4-18
65	112	46	70	330	180	185	145	4-18	185	145	4-18
80	114	46	83	390	245	200	160	4-18	200	160	8-18
100	127	52	105	431	240	220	180	8-18	220	180	8-18
125	140	56	115	455	240	250	210	8-18	250	210	8-18
150	140	56	137	626	350	285	240	8-22	285	240	8-22
200	152	60	164	720	350	340	295	8-22	340	295	12-22
250	165	68	206	800	550	395	350	12-22	405	355	12-26
300	178	78	230	860	600	445	400	12-22	460	410	12-26
350	190	78	248	883	600	505	460	16-22	520	470	12-26
400	216	102	289	972	600	565	515	16-26	580	525	16-26
450	222	114	320	1043	750	615	565	20-26	640	585	16-30
500	229	127	342	1098	750	670	620	20-26	715	650	20-30
600	267	154	413	1236	750	780	725	20-30	840	770	20-33
700	430	165	478	1431	750	895	840	24-30	910	840	24-36
800	470	190	525	1488	750	1015	950	24-33	1025	950	24-39

### Main performance specifications

Nominal diameter (DN)		DN50~DN800		
Nominal pressure	PN(MPa)	0.6	1.0	1.6
Test pressure	Strength test	0.9	1.5	2.4
	Sealing test	0.66	1.1	1.76
	Low pressure airtight test	0.5-0.7		
Applicable media		Air, water, sewage, steam, gas, oil, etc.		